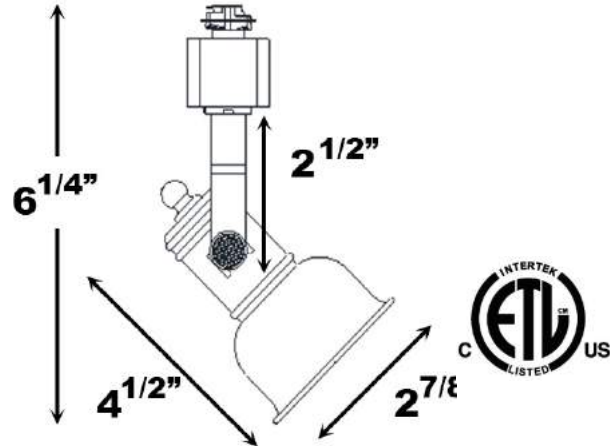




<u>PROJECT</u>
<u>CONTACT (NAME/TEL)</u>

## Integrated LED Track Lighting Fixture 8001



### PRODUCT DESCRIPTION

- Integrated long lasting COB LED chips.
- Consistent, crispy bright-white light source.
- Energy efficient and Environmental friendly.
- No glare.
- Sturdy side knobs to enable the fixture stay and locked in place.
- Stamping steel construction.
- Track head be turned in 90°± vertical projecting and 350° horizontal rotation.

### SPECIFICATION

<b>Description</b>	Integrated LED Track Lighting Fixture
<b>Wattage</b>	8W (equivalent to 50W halogen)
<b>Voltage</b>	120V
<b>LED Chip</b>	COB (Chip-on-Board)
<b>Color Temperature</b>	3000K (Warm White)
<b>Lumens</b>	560
<b>CRI</b>	90
<b>Beam Angle</b>	Flood (FL) 38°
<b>Dimmable</b>	Approved with Lutron #DVCL-153P dimmer
<b>Average Life</b>	40,000 Hours (80% decay at 25,000 hrs.)
<b>Finish</b>	White(WH), Black(BK)
<b>Rating</b>	ETL Listed

### Ordering Information

System	Model	Finish
HT*, HT2, JT	8001	WH / BK

\*"Pull-up" contact to up position for two-circuit application

Ordering Examples: HT-8001-WH, HT-8001-BK, JT-8001-BK

Product specifications subject to change without notice.