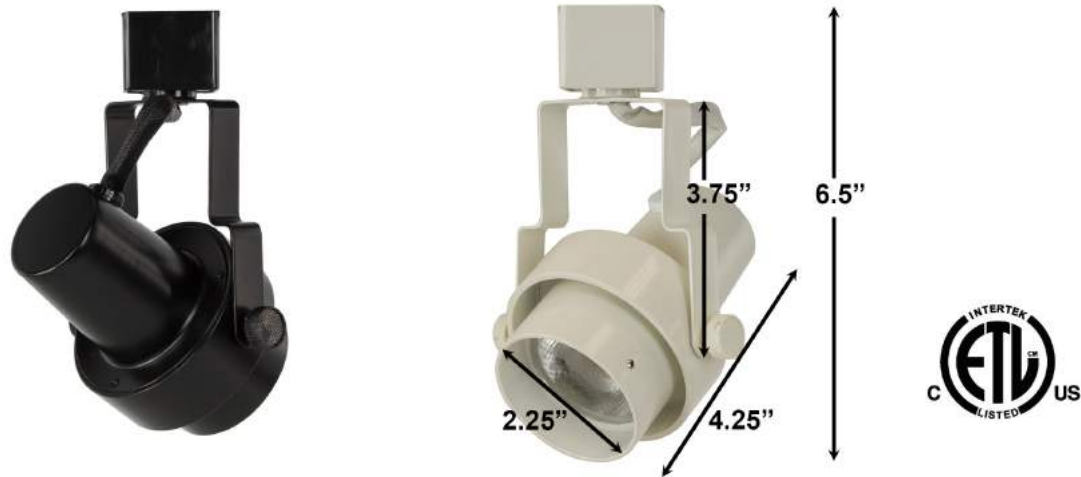




<u>PROJECT</u>
<u>CONTACT (NAME/TEL)</u>

## Integrated LED Track Lighting Fixture 50904



PRODUCT DESCRIPTION	
<ul style="list-style-type: none"> <li>• Integrated long lasting COB LED chips.</li> <li>• Consistent, bright-white light source.</li> <li>• Energy efficient and Environmental friendly.</li> <li>• No glare.</li> <li>• Sturdy side knobs to enable the fixture stay and locked in place.</li> <li>• Stamping steel construction.</li> <li>• Track head be turned in 90°± vertical projecting and 350° horizontal rotation.</li> </ul>	

SPECIFICATION	
<b>Description</b>	Integrated Track Lighting Fixture
<b>Wattage</b>	13W (equivalent to 50W halogen)
<b>Voltage</b>	120V
<b>LED Chip</b>	COB (Chip-on-Board)
<b>Color Temperature</b>	3000K (Warm White)
<b>Lumens</b>	800 (≈ 61 lumen/watt)
<b>CRI</b>	90
<b>Beam Angle</b>	Flood (FL) 38°
<b>Dimmable</b>	Approved with Lutron #DVCL-153P dimmer
<b>Average Life</b>	40,000 Hours (80% decay at 25,000 hrs.)
<b>Finish</b>	White(WH), Black(BK)
<b>Rating</b>	ETL Listed

Ordering Information		
System	Model	Finish
HT*, HT2, JT	50904	WH / BK

\*"Pull-up" contact to up position for two-circuit application

Ordering Examples: HT-50904-WH, HT-50904-BK, JT-50904-BK

Product specifications subject to change without notice.