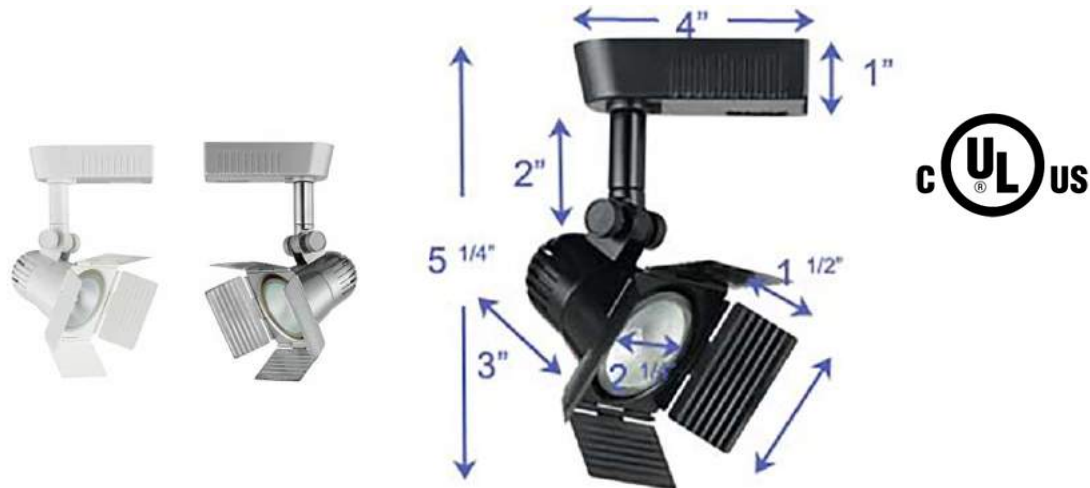




PROJECT
CONTACT (NAME/TEL)

Low Voltage Track Lighting Fixture 50039



PRODUCT DESCRIPTION	
<ul style="list-style-type: none"> • 350° horizontal rotation or 90° vertical projecting. • Adjustable barn doors to control glare from lamp. 	

SPECIFICATIONS	
Description	Low Voltage Track Lighting Fixture
Wattage	50W
Voltage	12V
Light Bulb	MR16 Lamp (order separately)
Accessories	Barn doors included
Finish	White (WH), Brushed Steel (BS).
Construction	<ul style="list-style-type: none"> • Die-cast aluminum track head with polycarbonate transformer case. • Integral electronic transformer (included), can be dimmable with 120V input electronic line voltage dimmers. • GU5.3 Bi-pin ceramic socket for MR16 lamp.
Environment	Indoor, Dry Location
Rating	UL &cUL Listed

Ordering Information			
System	Model	Watt	Finish
HT*, HT2, JT	50039	50	WH / BS

**"Pull-up" contact to up position for two-circuit application

Ordering Examples: HT-50039-WH, JT-50039-BS

Product specification subject to change without notice.