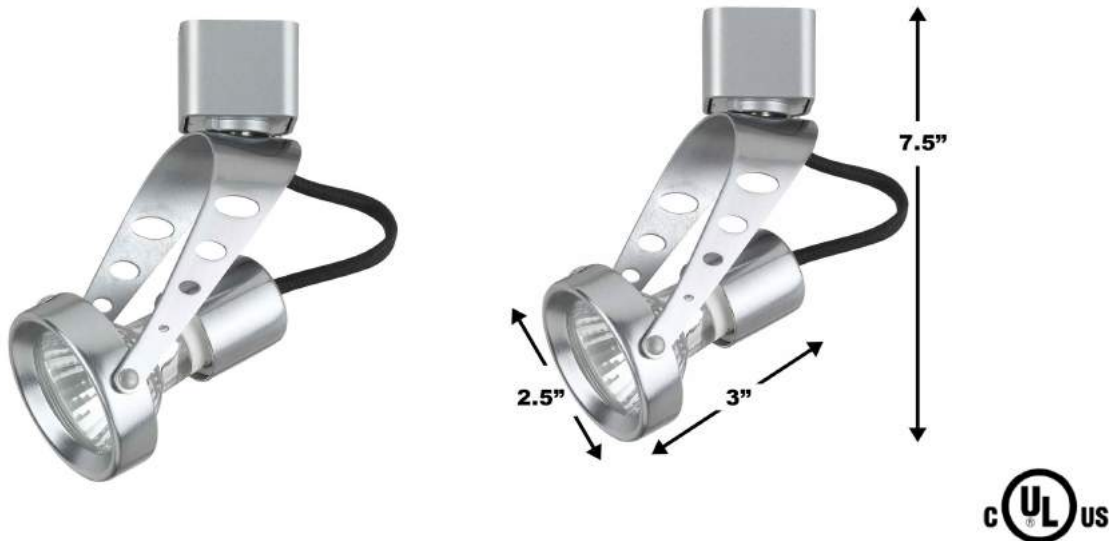




<u>PROJECT</u>
<u>CONTACT (NAME/TEL)</u>

Line Voltage Track Lighting Fixture 50074



PRODUCT DESCRIPTION	
•	GU10 track fixture.
•	350° horizontal rotation or 90° vertical projecting.

SPECIFICATIONS	
Description	Line Voltage Track Lighting Fixture
Wattage	50W
Voltage	120V
Lamp Type	GU10 Halogen / LED Light Bulb (Not Included)
Finish	Black (BK), White (WH), Brushed Steel(BS).
Construction	<ul style="list-style-type: none"> • Stamping steeltrack head. • GU10 twist and turn base.
Environment	Indoor, Dry Location
Rating	UL &cUL Listed

Ordering Information			
System	Model	Watt	Finish
HT*, HT2, JT	50074	50	BK / WH / BS

**"Pull-up" contact to up position for two-circuit application

Ordering Examples: HT-50074-BK, HT-50074-WH, JT-50074-BS

Product specification subject to change without notice.