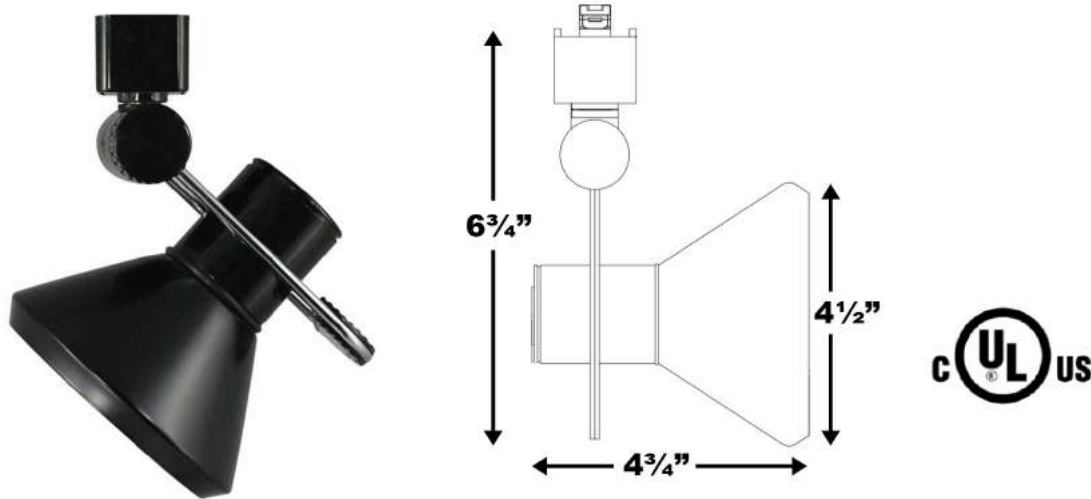




<u>PROJECT</u>
<u>CONTACT (NAME/TEL)</u>

## Line Voltage Track Lighting Fixture 50002-50137



PRODUCT DESCRIPTION	
•	350° horizontal rotation or 90° vertical projecting.
•	Accepts PAR30 lamp up to 75 watts.

SPECIFICATIONS	
<b>Description</b>	Line Voltage Track Lighting Fixture
<b>Wattage</b>	75W (max)
<b>Voltage</b>	120V
<b>Lamp Type</b>	PAR30 Halogen / LED Light Bulb (Not Included)
<b>Finish</b>	Black (BK), White (WH), Brushed Steel (BS), Dark Bronze (DB), Rust (RU).
<b>Environment</b>	Indoor, Dry Location.
<b>Rating</b>	UL &cUL Listed

Ordering Information			
System	Model	Watt	Finish
HT*, HT2, JT	50002-50137	75	BK / WH / BS / DB / RU

\*\*"Pull-up" contact to up position for two-circuit application

Ordering Examples: **HT-50002-50137-BK-BK**, **HT-50002-50137-BS-BK**,  
**JT-50002-50137-BS-BS**

*Product specification subject to change without notice.*